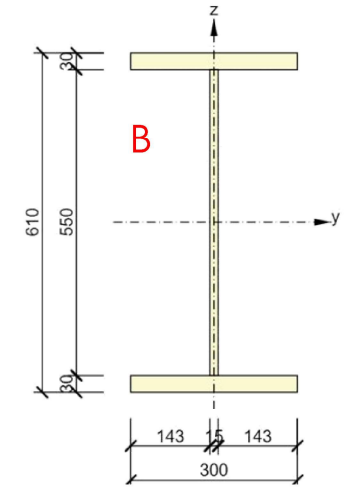
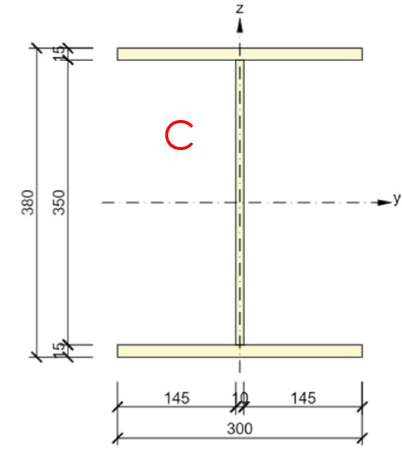
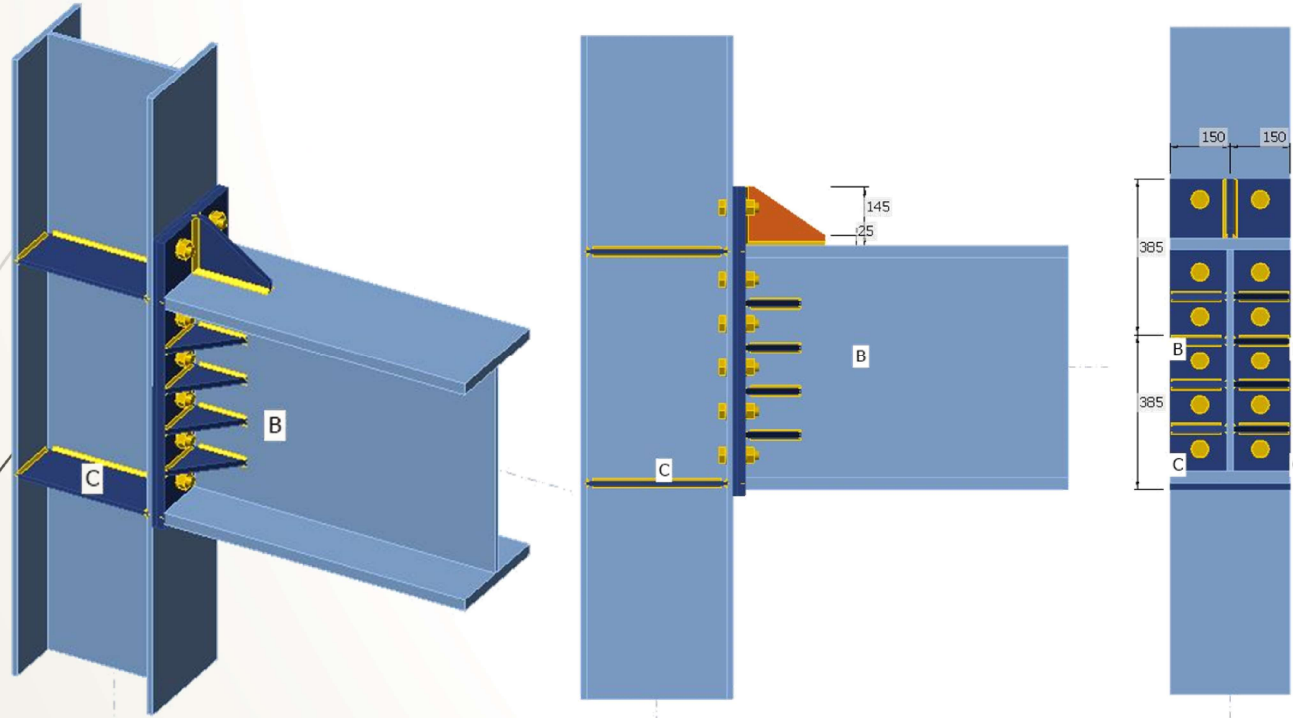


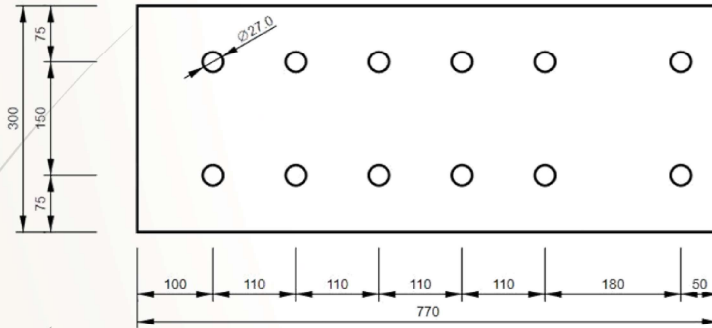
Example 03

1

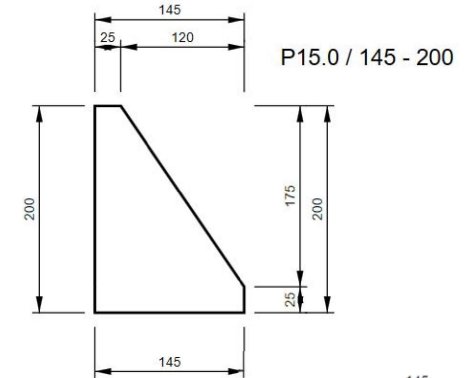
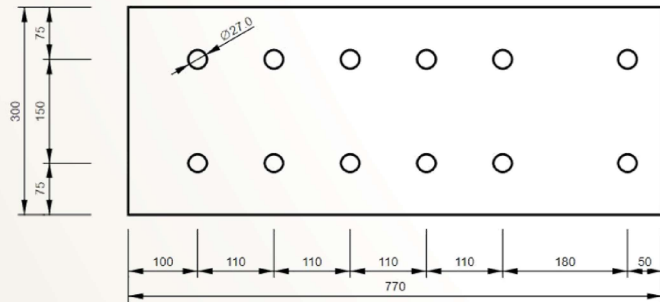


Example 03

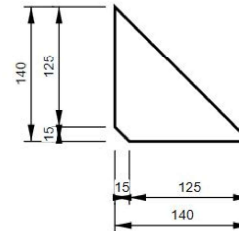
P20.0 / 770 - 300



P5.0 / 770 - 300



P15.0 / 140 - 140



P10.0 / 145 - 350

